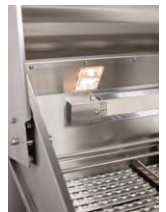


ACG40RFS N/L

40" Cart Model Open Grill BBQ with Solid Flat Plate



Features and Benefits:

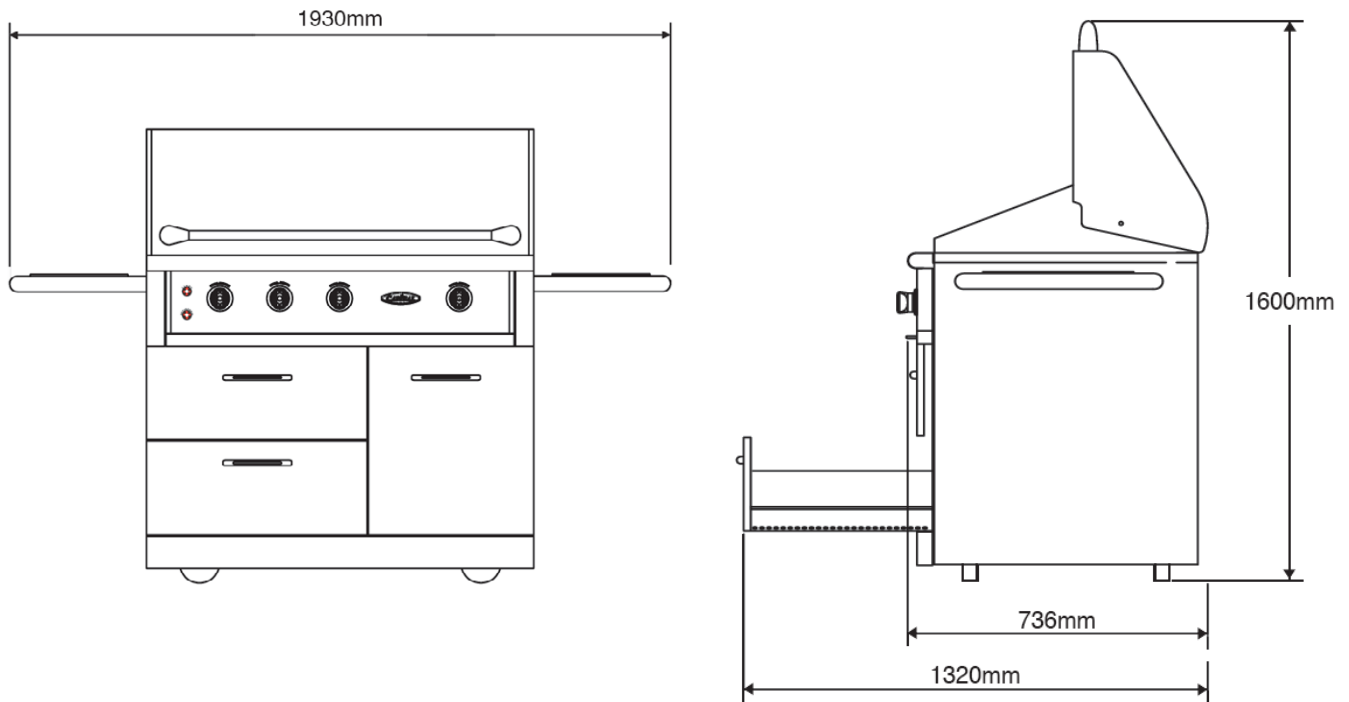
Warranty	2 Years
Quality Handcrafted Stainless Steel Product	304 grade stainless steel encased ceramic rods and channelled grates for grease drainage.
2 x 30Mj Rating W-Shaped Precision Burners	Stainless steel W-shaped precision burners with flame failure and auto re-ignition.
Flame Failure with Auto Re-Ignition	Flame failure with auto re-ignition if flame goes out. This is designed for the highest levels of safety and performance.
30Mj Infrared Zone Burner	High power infrared zone burner providing fast heat up and reducing cooking times.
Stainless Steel Solid Plate (10mm Thick)	Stainless Steel Teppanyaki grill plate included as standard.
Integrated Halogen Lighting System	2 powerful integrated halogen lights strategically located to ensure the best lighting whilst cooking.
18Mj Flush Mounted Rotisserie Burner	Flush mounted infrared rotisserie motor for clean look with a high capacity concealed motor and 2 rotisserie forks provided.
Electronic Ignition	Designed for reliable ignition of flame.
Standard Accessories Included	Included with the purchase of a Capital BBQ is a vinyl cover, chopping board, smoker box and teppanyaki grill plate valued at \$1,738
Lift Assist Stainless Steel Hood	Spring assisted lid to provide smooth and easy use of hood.
Heavy Duty Storage Drawers	Heavy duty storage drawers to hold all of your essential cooking utensils and ingredients.
Amperage Requirement	10 AMP GPO Required
Gas Type	Choice of Natural or LPG
Handcrafted with Precision in California, U.S.A.	Units are designed and manufactured in California, U.S.A. by dedicated boutique specialist manufacturer.

Distributed by Arisit Pty Ltd

40-44 Mark Anthony Drive, Dandenong South VIC 3175 Phone: 1300 762 219 Fax: 03 9706 6904 Website: www.arisit.com

ACG40RFS N/L

40" Cart Model Open Grill BBQ with Solid Flat Plate



Model	ACG40RFS N/L
Control Panel	Die-Cast Chrome Plated; Black Trim & S/S Bevel
Gas Type	Available in Both Natural Gas & LPG (must be ordered to suit gas)
Total Mj Consumption	108 Mj/hr
LPG Gas Bottle Requirement	Minimum 4.5kg, Maximum 9kg Gas Bottle
Standard Accessories Included	Smoker Box, Birchwood Chopping Board & Vinyl Cover
Flame Failure	YES
Auto Re-Ignition	YES
Product Dimensions (Lid Open)	(W) 1930mm x (D) 736mm x (H) 1600mm

WARNING: Technical specifications and product sizes can be varied by the manufacturer, without notice. Cut outs for appliances should only be physical product measurements. The above information is indicative only.

Distributed by Arisit Pty Ltd

40-44 Mark Anthony Drive, Dandenong South VIC 3175 Phone: 1300 762 219 Fax: 03 9706 6904 Website: www.arisit.com

ACG40RFS N/L

40" Cart Model Open Grill BBQ with Solid Flat Plate



Two Year Full Warranty

Capital offers a Two Year Full Warranty covering all parts and labour to ensure peace of mind.



Stainless Steel Grill Plate

12" wide, 10mm thick stainless steel grill plate designed for usage above the 30 Mj Infrared Zone Burner, allowing it to reach extremely high temperatures. The thickness of the plate helps to make it extremely durable and maintain temperatures.



Smart Drip Tray

Smart drip system which catches fats and oils. Sitting below the grill surface, the tray is supported by a ball bearing slide system and is removable to make it easy to clean.



Stainless Steel Hood

Featuring Lift-Assist technology to provide easy access and reduce energy required to open the hood. The double layered hood reduces heat loss and maintains safe external hood temperatures while minimizing heat discoloration and warping.



Stainless Steel Ceramic Rods

Designed to evenly distribute heat across the cooking surface by reducing flare ups and preventing flames from directly reaching food.

Stainless Steel Ceramic Rods are a Capital exclusive.



Removable Warming Rack

Provides additional cooking space and room to cool your perfectly cooked meats before serving. Can be easily removed.



Zone Cooking Feature

Zone cooking allows optimisation of temperature zones. Each burner has a heat divider between them which prevents the heat diverting to the neighbouring zone.



Quality Hand Crafted Construction

High quality seamless stainless steel product created to the highest standards by Capital's expert manufacturing team.



Stainless Steel Channelled Grates & Smoker Box

Solid Stainless Steel channelled grates encourage oil drainage and are designed for longer life and reducing flare-ups.

The stainless steel smoker box will have you creating deep, smoky flavours in your BBQ.



W Shaped Burner

Our exclusive dual W shaped burner is made of 100% stainless steel and is engineered to produce a larger heated area, eliminating hotspots. Sparks up with hot surface glow ignition system, providing high heat for zone style cooking results.



30Mj Infrared-Zone Burner

Infrared-Zone Cooking with a 10mm thick stainless steel flat plate gives you a quick sear with high radiant temperatures of up to 1000°C that keeps food tastier and healthier.



Flush Mounted Rotisserie

The high-powered integrated hidden rotisserie motor helps to provide a clean look and boasts a flush mounted infrared burner at the rear of the BBQ. The stainless steel rod and 2 forks supplied will hold up to a massive 25kg.

Distributed by Arisit Pty Ltd

40-44 Mark Anthony Drive, Dandenong South VIC 3175 Phone: 1300 762 219 Fax: 03 9706 6904 Website: www.arisit.com